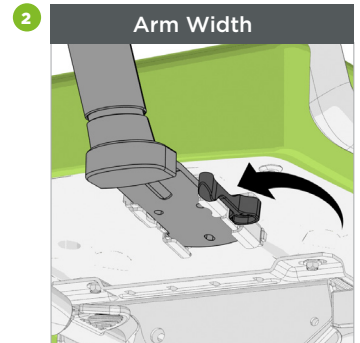


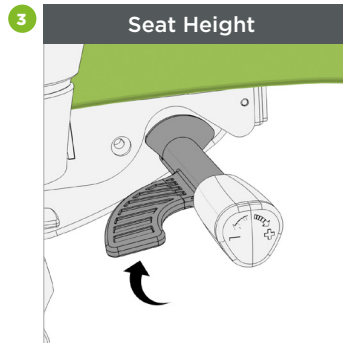
**1 Arm Rest**  
Raise or lower arms to help support forearms and to keep shoulders aligned in a neutral position.

Press button to move arm rest up and down.



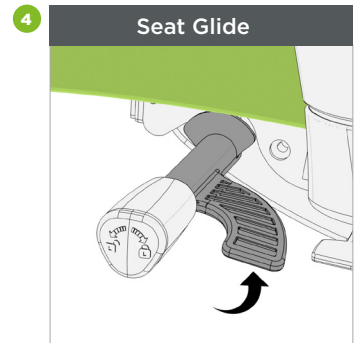
**2 Arm Width**  
Adjust the width of the arms based on personal preference and body size. Keep them as close to the torso as possible for maximum support.

Press lever back horizontally to unlock arm and adjust width.



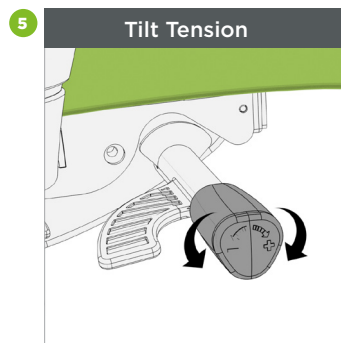
**3 Seat Height**  
Adjust the seat height to find the optimal seated position. Legs should be at ninety degrees for the best support.

Press lever upward to adjust seat height.



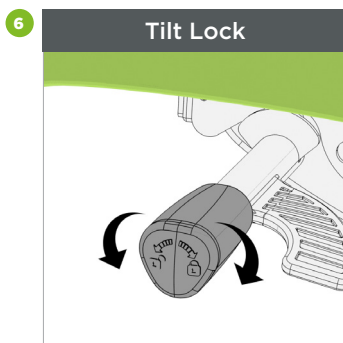
**4 Seat Glide**  
The seat slides forward and back to a position that best supports the leg length and reduces pressure, providing long-term comfort.

Press lever upward to adjust the seat glide.



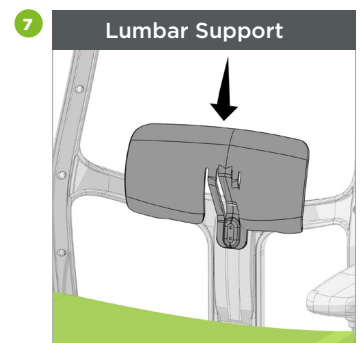
**5 Tilt Tension**  
Proper tension should allow you to lean back easily while providing support when reclining.

Turn knob clockwise or counter-clockwise to adjust the tilt tension.



**6 Tilt Lock**  
Back can be locked in multiple positions or set to recline freely.

Turn knob clockwise or counter-clockwise to lock and unlock.



**7 Lumbar Support**  
Adjust the lumbar support to best fit the user. The lumbar provides proper support to the lower back.

Slide up or down for desirable comfort.