



About



Accelerate

EMS ENERGY MANAGEMENT SYSTEM

Summary of Title 24

The 2014 California Title 24, addresses building energy efficiency standards with an objective to reduce energy use in California. The owner or tenant is responsible to meet these specific requirements.

This impacts:

- All building permits, new or renovation
- Office improvements, including moving or reconfiguring existing furniture

Office Furniture Impact

In Subchapter 4, Section 130.5(d), controlled duplex receptacles are required and non-controlled duplex receptacles are allowed. A factory-marked controlled duplex receptacle is required within 6 feet of any non-controlled receptacle. Circuit controls for 120 volt duplex receptacles will run on timers, sensors, or both. A power strip or surge bar does not meet the standard. These requirements are for new spaces and retrofits, with all building permits, and any time furniture with electrical is moved. A post-installation inspection is also required. Controlling duplex receptacles can be accomplished at the building power controls or within the furniture power system.

FAQ

Q. What should I discuss with customers now?

A. Ask if Title 24 compliance will be necessary on the project, and how they intend to comply. Be ready to discuss options.

Q. How will this affect planning and specification?

A. Plan for the 6" rule when placing controlled and non-controlled duplex receptacles. The HON IDS team is versed in Title 24 and ready to help you with your planning needs.

Q. Does this work with existing HON electrical?

A. Yes, the infeed must be the EMS version but the other electrical components downstream from the infeed will remain HON standard electrical components. Please see notes below for more information.

Q. When will the EMS (Energy Management System) be orderable?

A. Components are available now through Tailored Solutions.

Q. Can you sync more than 1 occupancy sensor to a Monitor Controlled Device (MCD)?

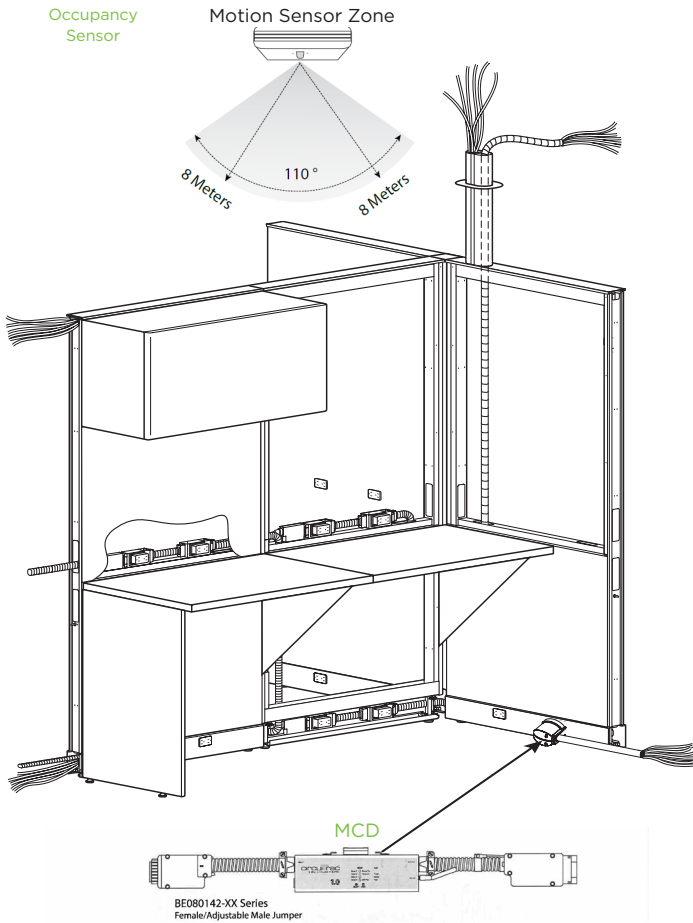
A. Yes, you can sync multiple occupancy sensors to each MCD.

Q. How do I know whether to specify the base/ceiling infeed or power harness MCD?

A. The MCD needs to be as close to the power input as possible. If your last panel in a run needs to have powered duplex receptacles, the base/ceiling in-feed version must be used. If not, it is recommended to use the power harness MCD. (Context: The power harness MCD is concealed within the panel kickplate. The base/ceiling in-feed is mounted to the outside of the kickplate on the panel.)

Furniture Controls

Specify HON EMS Base/ceiling in-feed or power harness. Each Monitor/ Controlled Device (MCD) includes programming instructions. Controlled labels for duplex receptacles are available as well as duplex receptacles marked with 'controlled'. Occupancy sensor is specified separately.



- Follow 6' rule when placing controlled receptacles
- Label controlled receptacles

HON EMS, features "CircuiTrac™ by Byrne" energy management system. EMS is compatible with new installations or can easily retrofit to existing HON electrical systems. Simply program the circuits at the time of installation and sync to the occupancy sensor(s).

Key components:

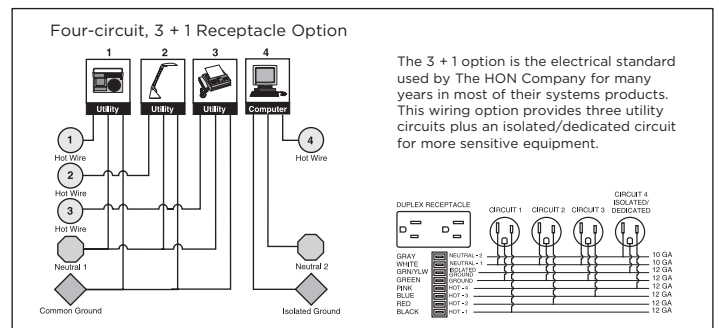
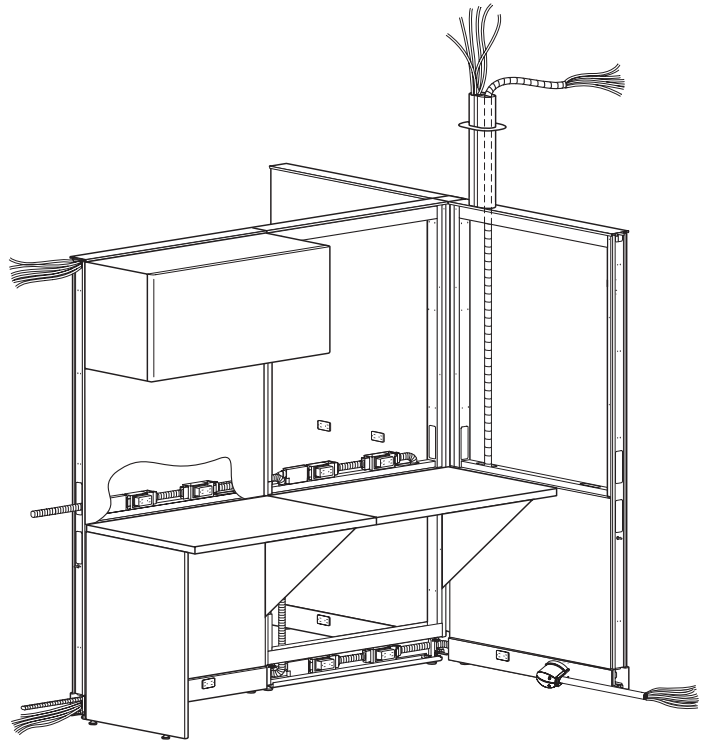
- Monitor/Control Device (MCD) (Base/ceiling in-feed or power harness)
- Occupancy Sensor
- Label controlled duplex receptacles with stickers or order pre-marked, "controlled", duplex receptacles

Contact your local HON representative with questions.

For questions on practical application contact customer support: 1-800-833-3964

Building Controls

A certified electrician wires in-feeds for select circuits to be controlled using an occupancy sensor or timer. All controlled duplex receptacles must be labeled as such.



- Follow 6' rule when placing controlled duplex receptacles
- Label controlled duplex receptacles
- Use standard electrical components
- Coordinate with electrician on which circuit(s) to control
- Electrician provides controlled circuits

HON
 The HON Company
 200 Oak Street
 Muscatine, IA 52761
 800.833.3964
 hon.com

© 2016 The HON Company, Form No. H4915 (01/17)